

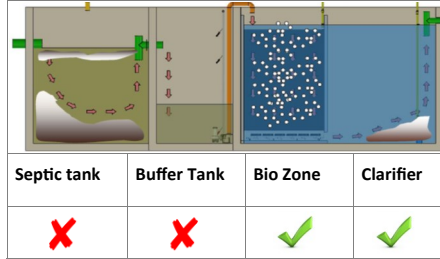
Mars 5000

Product Description

BioKube's Mars 5000 system is a STP most commonly used for smaller residential housing groups or tourist accommodation sites.

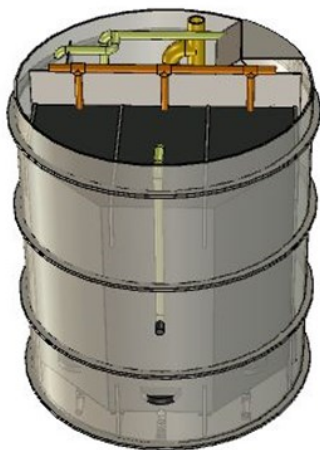
The Mars 5000 system is typically installed after a buffer tank and a septic tank either in- or above ground.

Integrated Treatment Steps

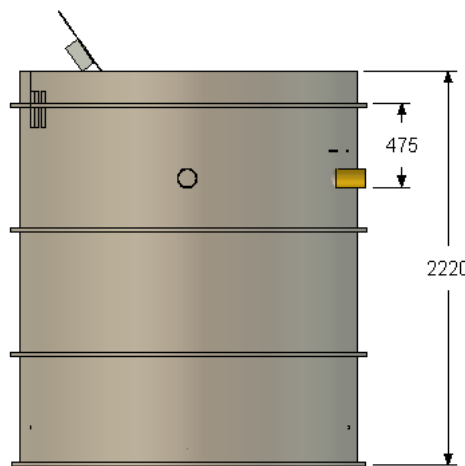


Mars 5000 installed in Tanzania

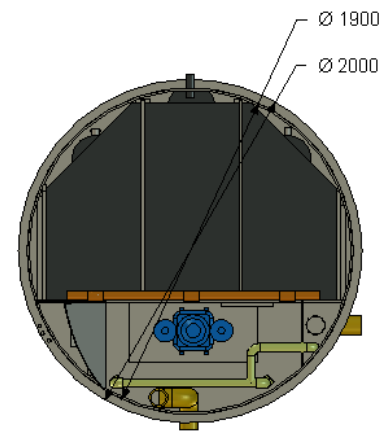
Dimensions & Pipe Placement



X-Ray View of Mars 5000



Profile View of Mars 5000



Top View of Mars 5000

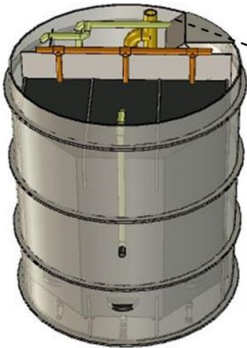
Mars 5000 Specifications	
Height (mm)	2,220
Diametre (mm)	2,000
Weight (kg)	650
Weigth with Water (kg)	6,000
Power consump. (kwh/year)	7,500
Tank Material	PP
Piping Material	PVC
Outlet/Sludge Return Pipe (mm)	110/110
Capacity (L/day) *	5-17
Capacity, PE **	27-136

* Capacity varies according to input characteristics & output requirements

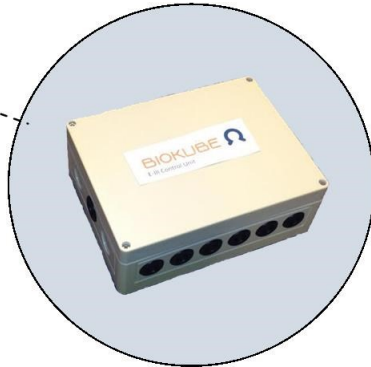
** 1 PE = 60g BOD, 13 g Ntotal, and 2,5 g Ptotal, 125-180 L/day

Mars 5000

Control Components



Mars 5000



BioKube E-III Control Unit

BioKube E-III Control Unit

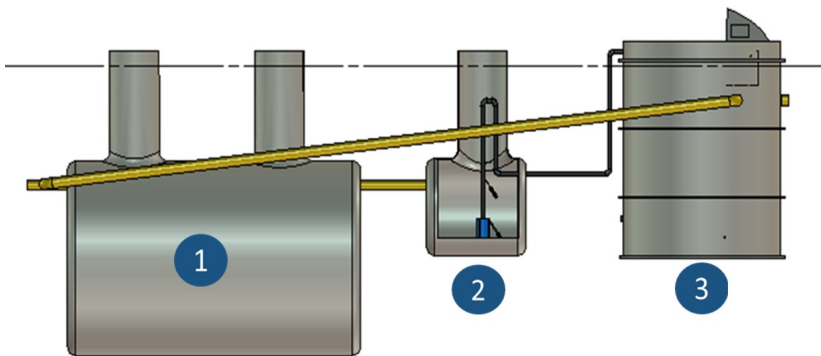
All electrical component in the Mars Unit; e.g. Blowers, pumps, UV Units, are integrated and connected to the BioKube E-III control unit, from where the power is distributed and controlled.

The Control Unit is placed in the internal control room (see drawing).

The plant is powered with 3 x 400 Volt. The maximum current is 2.5 Amperes depending on the number of pumps installed.

Systems for 110V power supply regions can be supplied upon request.

Full Installation Principles



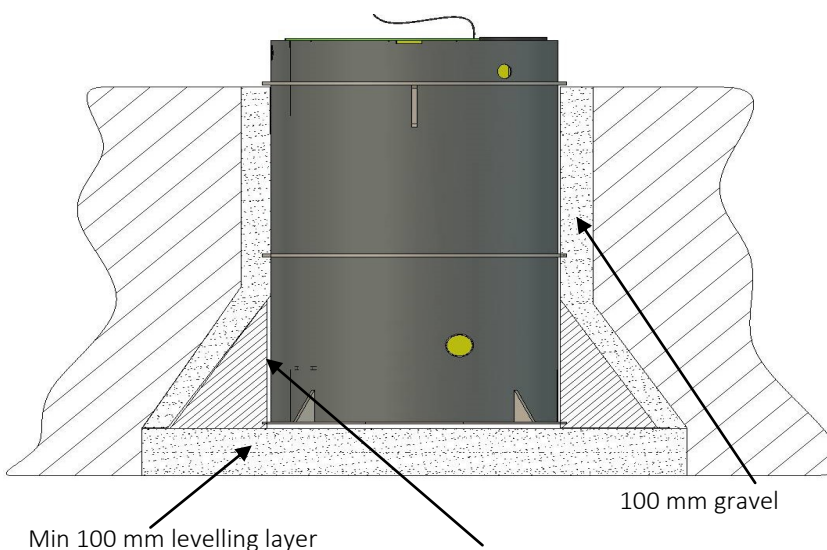
Installation Components

The Mars Systems is typically installed in ground after a buffer tank and a septic tank. The septic tank and buffer tank should be supplied locally from one of many standard suppliers. Alternatively it can be casted on site in concrete.

- 1 Septic tank
- 2 Buffer tank
- 3 Mars 5000

For more information see the installation manual

Construction Principles - Backfilling



Backfilling

The Mars 5000 system requires to be installed on a level and compressed surface (e.g. gravel layer).

When back-filling a 100 mm layer of gravel must be placed around the plant.

In case of high ground water levels it is recommended to cast a buoyancy control concrete anchor around the bottom of the Mars plant.

The Mars 5000 can also be installed above ground without any additional equipment.

For more information see the installation manual.